

# MA-102S

## Submersible Adapter for Pyxis ST Series Probes

The Pyxis ST-500 and ST-700 series probes can be installed in a submerged format by using the Submersible Adapter Pipe Assembly MA-102S. The MA-102S adapter as seen in figure 1 below can be used to extend submersion depth by a 1.5-inch schedule 80 pipe. An example of installation is shown in figure 2. Please note that MA-102S does not include any CPVC components other than the adapter circled in figure 1. All interconnecting CPVC piping, couplers, elbows are standard 1.5inch NPT and may be sourced by the installer.

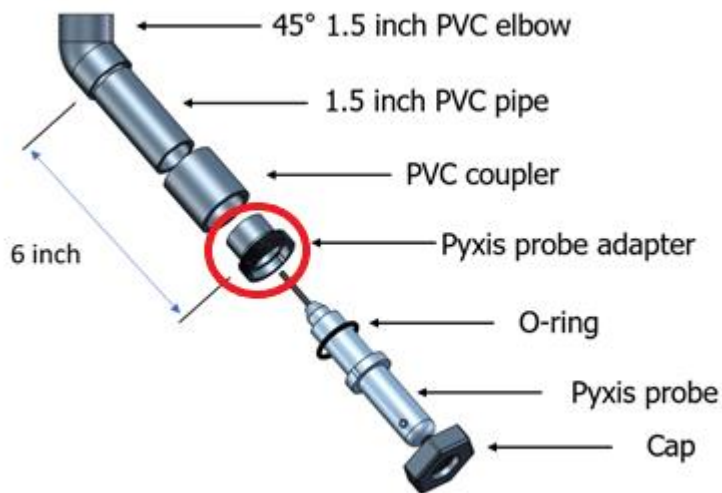


Figure 1. MA-102S Submersion Adapter Circled in Red. All interconnecting piping and couplers are standard 1.5inch NPT-CPVC and may be sourced by the installer.

### Ordering Information

MA-102S, Submersible Installation Adapter ST Series Probes

**P/N**

50732

### Accessories

MA-C10, 10 ft Extension Cable

MA-C50, 50 ft Extension Cable

**P/N**

MA-C10

MA-C50

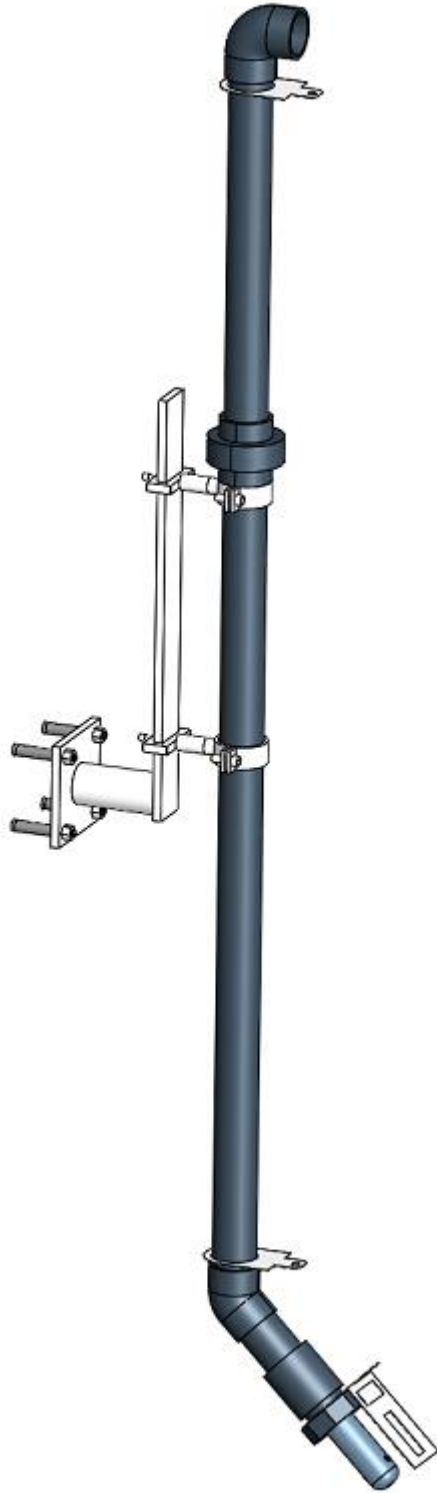


Figure 2. Example of installation